

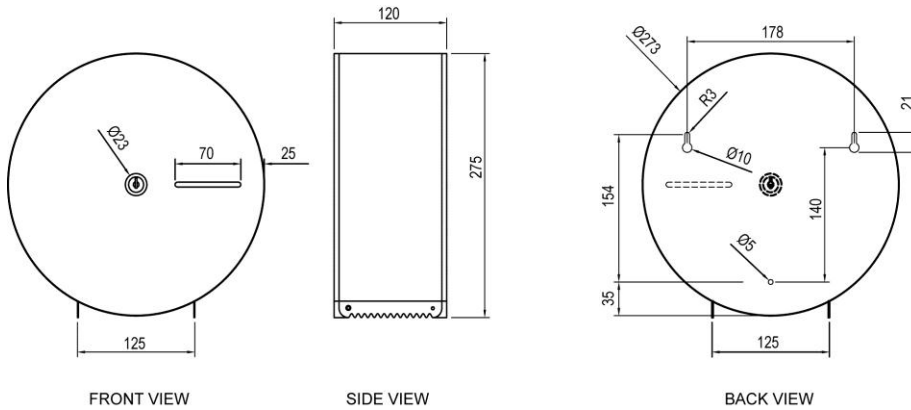
## Surface Mounted Jumbo Roll Paper Holder

### PRODUCT SPECIFICATIONS

- Dimension : Ø273 (L) x 120 (W) x 275 (H) mm
- Material : Stainless Steel 304



### TECHNICAL DRAWING



Copyright © Rigel Technology (S) Pte Ltd All rights reserved. Terms of Use.